



Sun Blade™ 100 Product Notes

Sun Microsystems, Inc.
4150 Network Circle
Santa Clara, CA 95054 U.S.A.
650-960-1300

Part No. 816-1796-13
September 2002, Revision A

Send comments about this document to: docfeedback@sun.com

Copyright 2002 Sun Microsystems, Inc., 4150 Network Circle, Santa Clara, California 95054, U.S.A. All rights reserved.

Sun Microsystems, Inc. has intellectual property rights relating to technology embodied in the product that is described in this document. In particular, and without limitation, these intellectual property rights may include one or more of the U.S. patents listed at <http://www.sun.com/patents> and one or more additional patents or pending patent applications in the U.S. and in other countries.

This document and the product to which it pertains are distributed under licenses restricting their use, copying, distribution, and decompilation. No part of the product or of this document may be reproduced in any form by any means without prior written authorization of Sun and its licensors, if any.

Third-party software, including font technology, is copyrighted and licensed from Sun suppliers.

Parts of the product may be derived from Berkeley BSD systems, licensed from the University of California. UNIX is a registered trademark in the U.S. and in other countries, exclusively licensed through X/Open Company, Ltd.

Sun, Sun Microsystems, the Sun logo, Sun PCI, SunVTS, Sun Blade, SunSolve, and Solaris are trademarks or registered trademarks of Sun Microsystems, Inc. in the U.S. and in other countries.

All SPARC trademarks are used under license and are trademarks or registered trademarks of SPARC International, Inc. in the U.S. and in other countries. Products bearing SPARC trademarks are based upon an architecture developed by Sun Microsystems, Inc.

The OPEN LOOK and Sun™ Graphical User Interface was developed by Sun Microsystems, Inc. for its users and licensees. Sun acknowledges the pioneering efforts of Xerox in researching and developing the concept of visual or graphical user interfaces for the computer industry. Sun holds a non-exclusive license from Xerox to the Xerox Graphical User Interface, which license also covers Sun's licensees who implement OPEN LOOK GUIs and otherwise comply with Sun's written license agreement. The Energy Star logo is a registered trademark of EPA



As an Energy Star® partner, Sun Microsystems, Inc. has determined that configurations of this product that bear the Energy Star Logo meet the Energy Star guidelines for energy efficiency.

Use, duplication, or disclosure by the U.S. Government is subject to restrictions set forth in the Sun Microsystems, Inc. license agreements and as provided in DFARS 227.7202-1(a) and 227.7202-3(a) (1995), DFARS 252.227-7013(c)(1)(ii) (Oct. 1998), FAR 12.212(a) (1995), FAR 52.227-19, or FAR 52.227-14 (ALT III), as applicable.

DOCUMENTATION IS PROVIDED "AS IS" AND ALL EXPRESS OR IMPLIED CONDITIONS, REPRESENTATIONS AND WARRANTIES, INCLUDING ANY IMPLIED WARRANTY OF MERCHANTABILITY, FITNESS FOR A PARTICULAR PURPOSE OR NON-INFRINGEMENT, ARE DISCLAIMED, EXCEPT TO THE EXTENT THAT SUCH DISCLAIMERS ARE HELD TO BE LEGALLY INVALID.

Copyright 2002 Sun Microsystems, Inc., 4150 Network Circle, Santa Clara, California 95054, Etats-Unis. Tous droits réservés.

Sun Microsystems, Inc. a les droits de propriété intellectuels relatants à la technologie incorporée dans le produit qui est décrit dans ce document. En particulier, et sans la limitation, ces droits de propriété intellectuels peuvent inclure un ou plus des brevets américains énumérés à <http://www.sun.com/patents> et un ou les brevets plus supplémentaires ou les applications de brevet en attente dans les Etats-Unis et dans les autres pays.

Ce produit ou document est protégé par un copyright et distribué avec des licences qui en restreignent l'utilisation, la copie, la distribution, et la décompilation. Aucune partie de ce produit ou document ne peut être reproduite sous aucune forme, par quelque moyen que ce soit, sans l'autorisation préalable et écrite de Sun et de ses bailleurs de licence, s'il y en a.

Le logiciel détenu par des tiers, et qui comprend la technologie relative aux polices de caractères, est protégé par un copyright et licencié par des fournisseurs de Sun.

Des parties de ce produit pourront être dérivées des systèmes Berkeley BSD licenciés par l'Université de Californie. UNIX est une marque déposée aux Etats-Unis et dans d'autres pays et licenciée exclusivement par X/Open Company, Ltd.

Sun, Sun Microsystems, le logo Sun, Sun PCI, SunVTS, Sun Blade, SunSolve, et Solaris sont des marques de fabrique ou des marques déposées de Sun Microsystems, Inc. aux Etats-Unis et dans d'autres pays.

Toutes les marques SPARC sont utilisées sous licence et sont des marques de fabrique ou des marques déposées de SPARC International, Inc. aux Etats-Unis et dans d'autres pays. Les produits portant les marques SPARC sont basés sur une architecture développée par Sun Microsystems, Inc.

L'interface d'utilisation graphique OPEN LOOK et Sun™ a été développée par Sun Microsystems, Inc. pour ses utilisateurs et licenciés. Sun reconnaît les efforts de pionniers de Xerox pour la recherche et le développement du concept des interfaces d'utilisation visuelle ou graphique pour l'industrie de l'informatique. Sun détient une licence non exclusive de Xerox sur l'interface d'utilisation graphique Xerox, cette licence couvrant également les licenciés de Sun qui mettent en place l'interface d'utilisation graphique OPEN LOOK et qui en outre se conforment aux licences écrites de Sun.

LA DOCUMENTATION EST FOURNIE "EN L'ÉTAT" ET TOUTES AUTRES CONDITIONS, DECLARATIONS ET GARANTIES EXPRESSES OU TACITES SONT FORMELLEMENT EXCLUES, DANS LA MESURE AUTORISÉE PAR LA LOI APPLICABLE, Y COMPRIS NOTAMMENT TOUTE GARANTIE IMPLICITE RELATIVE A LA QUALITE MARCHANDE, A L'APTITUDE A UNE UTILISATION PARTICULIERE OU A L'ABSENCE DE CONTREFAÇON.



Please
Recycle



Adobe PostScript

Contents

Installing a Previous Version of the Solaris Operating Environment	1
Checking Your Motherboard Part Number	1
Smart Card Reader Availability	2
Further Assistance	3
Software Changes	4
Installing the Solaris 8 7/01 Operating Environment	4
Setting the Default Console Display	4
Reinstalling the Solaris 8 10/00 or 8 1/01 Operating Environments and Patches	5
Power Management for the Sun Blade 100 When Using Solaris 8 10/00 or Solaris 8 1/01 Software	5
Hardware Changes	7
Riser Board PCI Card Guide	7
Documentation Changes	7
Preinstalled Software Notices	7
Sun 1394 Camera Support	8
Sun Blade 100 Specifications	8
DIMM Speed and Timing	9
Declaration of Conformity	10

Sun Blade 100 Product Notes

The following product notes summarize late-breaking changes to Sun Blade™ 100 software, hardware, and documentation. These changes became known after the product was released.

Installing a Previous Version of the Solaris Operating Environment

If you intend to install a previous version of the Solaris™ software:

- Solaris 8 10/00 software
- Solaris 8 1/01 software
- Solaris 8 4/01 software

and your Sun Blade 100 motherboard is part number 375-3106, you need to follow a particular procedure and configure certain patches as part of the installation.

Checking Your Motherboard Part Number

- **Type the following command as a user of the system:**

```
% prtconf -vp | grep model | head -1
```

- If the command displays the part number 375-3106, for example:

```
model: 'SUNW,375-3106'
```

Follow the procedures described in *Sun Blade 100 Motherboard Update and Sun PGX64 Patch Procedures*, 816-7660. You can find this document online at:

<http://www.sun.com/documentation>

Click the following links: Additional Hardware Documentation → Desktop & Workstation → Sun Blade Workstations → Sun Blade 100.

You also need the Sun PGX64 Patch Kit. Contact your Sun Microsystems representative for assistance.

- If the command displays a different part number, for example:

```
model: 'SUNW,375-3092'
```

You can install the previous version of the Solaris software as described in the Solaris documentation.

Smart Card Reader Availability

As stated in the *Sun Blade 100 Getting Started Guide*, 806-3415 and the *Sun Blade 100 Service Manual*, 806-3416, the smart card reader in the Sun Blade 100 is functional with the installation of newer Solaris operating environment software and software patches. The required software patches are listed according to the system's Solaris release date:

TABLE 1 Required Patches According to Solaris Release Date

Patch Description	Solaris 8 7/01	Solaris 8 10/01	Solaris 8 2/02
Smart card administration GUI	108909-12	108909-12	
CDE dtsession updates	109354-14	109354-14	
Opencard properties file	109695-03		
Smart card core updates	109887-13	109887-13	109887-13
Internal card reader updates	110457-05	110457-05	110457-05

Note – The smart card reader is not functional with any releases of the Solaris operating environment prior to the Solaris 8 7/01 software.

▼ Installing the Patches

1. Check your Solaris 8 release date:

```
% cat /etc/release |grep So  
Solaris 8 2/02 s28s_u7wos_08a SPARC
```

In this example, the release date is 2/02.

2. Check your installed patches:

```
% showrev -p|nawk '{print $2}'|sort
```

This command lists all installed patches in ascending numeric order.

3. If any patches are outdated or missing, go to the SunSolveSM web site at:

<http://www.sunsolve.sun.com>

4. Click the Patches link in the left column.

5. Search for and download the latest versions of the patches.

Newer patches are signified by a higher dash (-) number.

6. Install the patches as superuser with the `patchadd` command.

For example:

```
# patchadd -M /download-directory 109887-13 110457-05
```

Where *download-directory* is the directory to where you downloaded the patches.

Further Assistance

If you are unable to use the smart card reader for your application after installing the required software, contact your Sun service representative.

Software Changes

Installing the Solaris 8 7/01 Operating Environment

The Solaris 8 7/01 operating environment has been preinstalled on your Sun Blade 100 system with all the necessary patches.

You can find more information about Solaris releases at:

<http://www.sun.com/software/solaris/>

Setting the Default Console Display

This information updates Appendix C of the *Sun Blade 100 Service Manual*.

If a PCI graphics card is installed, such as the Sun Expert 3D-Lite graphics accelerator, the default monitor console switches to the installed PCI card. You can override this behavior and set the on-board M64 graphics device as the default monitor console.

1. **At the `ok` prompt, type the following to display a list of the installed graphics devices:**

```
ok show-displays
a) /pci@1f,0/SUNW,m64B@13
b) /pci@1f,0/pci@5/SUNW,Expert3D-Lite@1
q) NO SELECTION
Enter Selection, q to quit:
```

2. **Type the letter of the graphics card to select it as the default console display.**

In this example, type a to select the on-board M64 graphics device.

```
Enter Selection, q to quit: a
/pci@1f,0/SUNW,m64B@13 has been selected.
Type ^Y ( Control-Y ) to insert it in the command line.
e.g. ok nvalias mydev ^Y
```


3. Set the selected device as the console device by typing:

```
ok setenv output-device ^y (Control -y)
```

Note – You do not need to press the Shift key and you might not see the Control-y characters after you press the keys.

4. Power off the system, connect your monitor cable to the on board VGA connector at your system back panel, and then power on the system.

Refer to the *Sun Blade 100 Getting Started Guide* for powering and cabling procedures.

Reinstalling the Solaris 8 10/00 or 8 1/01 Operating Environments and Patches

This information supplements the “Restoring the Preinstalled Software” section in the *Sun Blade 100 Getting Started Guide*.

If you decide to reinstall the Solaris 8 10/00 or the Solaris 8 1/01 operating environment for any reason, you must use a special set of installation CD-ROMs in addition to the Solaris Media Kit. To obtain the installation CD-ROMs, order the following part number from a Sun Authorized Reseller: 595-6084-01

You can download and find information about software patches for both the Sun Blade 100 system and the Solaris operating environment at:

<http://www.sunsolve.sun.com>

Power Management for the Sun Blade 100 When Using Solaris 8 10/00 or Solaris 8 1/01 Software

This information supplements the “Activating the System From Low-Power Mode” section in the *Sun Blade 100 Getting Started Guide*.

Hard drive and system power management are adjustable with the `dtpower` application in the Solaris 8 7/01 release. However, the power management features were not present in Solaris 8 10/00 and Solaris 8 1/01 releases.

The following two sections describe other methods for disabling Energy Star® power management.

Disabling Hard Drive Power Management

When the system is in low-power mode, the hard drive eventually spins down to conserve power. Later, when you perform a task that accesses the hard drive, the hard drive spins up again. You might have to wait a few seconds for the hard drive to spin up to full speed.

If you find that the delay is inconvenient, you can turn off Energy Star hard drive power management.

1. **As superuser, edit the `/etc/power.conf` file to add the following line:**

```
device-thresholds /dev/dsk/c0t0d0s0 always-on
```

2. **Run the command:**

```
# /usr/bin/pmconfig
```

This procedure tells the power management framework to keep the hard drive powered up all the time, regardless of drive usage. You can completely turn off all power-saving features of the workstation using the following procedure.

Disabling All System Power Management

You can disable the Energy Star power management feature by using the `dtpower` application.

1. **At the system prompt type:**

```
% /usr/openwin/bin/dtpower
```

The `dtpower` application is displayed.

2. **Under the Current power saving scheme menu, select Disabled.**
3. **Press the OK button.**

Hardware Changes

Riser Board PCI Card Guide

This information supplements the *Sun Blade 100 Getting Started Guide* and the *Sun Blade 100 Service Manual*.

A PCI card guide has been added to the riser board of the Sun Blade 100 system to help hold the PCI cards in place. See FIGURE 1.

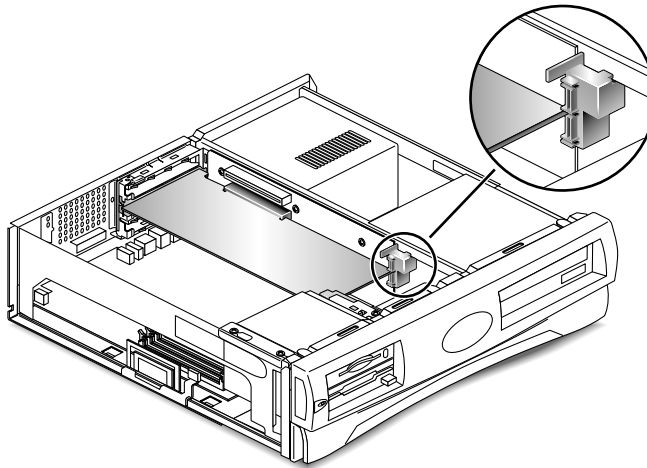


FIGURE 1 Riser Board PCI Card Guide

When installing long PCI cards, make sure they seat properly into the guide.

Documentation Changes

Preinstalled Software Notices

Some preinstalled software was not listed in the “Restoring the Preinstalled Software” section of the *Sun Blade 100 Getting Started Guide*.

Sun VTS

SunVTS™ is the Sun online Validation Test Suite. SunVTS is a comprehensive software diagnostic package that tests and validates hardware by verifying the connectivity and functionality of most hardware controllers, devices, and platforms.

You can find more information about Sun VTS in the following guides which are preinstalled on your system in the Sun Hardware Collection.

- *SunVTS 4.x User's Guide*, describes how to install, configure, and run the SunVTS diagnostic software.
- *SunVTS Quick Reference Card*, provides an overview of how to use the SunVTS CDE interface.
- *SunVTS 4.x Test Reference Manual*, provides details about each individual SunVTS test.

Sun PCi II

The software driver for the Sun PCi™ II coprocessor card is preinstalled on your system. The Sun PCi II card enables you to run Microsoft Windows applications on your Sun workstation concurrently with Solaris operating environment applications.

Workman

This software enables your system CD-ROM drive to play audio CDs. This software is not supported by Sun Microsystems™, Inc.

Sun 1394 Camera Support

This information updates the *Sun Blade 100 Getting Started Guide*.

The Sun Blade 100 system supports the Sun Visual Collaboration Kit, the Sun 1394 Camera, and any Solaris ready 1394-compliant device.

Sun Blade 100 Specifications

Tables A-1 and A-3 in Appendix A of the *Sun Blade 100 Service Manual*, incorrectly list some of the system specifications.

Tables A-1 and A-3 below list the correct system specifications and environmental requirements.

TABLE A-1 Sun Blade 100 System Physical Specifications

Specification	U.S.A.	Metric
Height	4.6 in.	11.8 cm
Width	18.0 in.	45.70 cm
Depth	17.6 in.	44.6 cm
Weight	34.2 lb	15.5 kg

TABLE A-3 Sun Blade 100 System Environmental Requirements

Environmental	Operating	Nonoperating
Temperature	41 to 95 degrees F (5 to 35 degrees C)	-4 to 140 degrees F (-20 to 60 degrees C)
Relative humidity	40% to 80% noncondensing at 95 degrees F (35 degrees C)	30% to 90% noncondensing at 140 degrees F (60 degrees C)
Altitude	10,000 ft (3 km)	40,000 ft (12 km)

DIMM Speed and Timing

Section C.6.2 of Appendix C in the *Sun Blade 100 Service Manual*, incorrectly lists the DIMM types and performance ranges. The following information corrects the service manual.

The Sun Blade 100 uses PC133 compliant SDRAM DIMMs. The motherboard can support up to 2 GBytes of memory with a 512 MByte DIMM in each of four slots. The DIMMs must comply with the following parameters.

TABLE C-6 DIMMs Performance Range

Frequency	tCK	tRC	tRAS	tRP
133 Mhz	7.5 ns	67.5 ns	45 ns	20 ns

Declaration of Conformity

This information updates the Declaration of Conformity in the *Sun Blade 100 Service Manual*.

The correct Declaration of Conformity for the Sun Blade 100 system is as follows:

Declaration of Conformity

Compliance Model Number: 202
Product Name: Sun Blade 100

EMC

USA—FCC Class B

This device complies with Part 15 of the FCC Rules. Operation is subject to the following two conditions:

1. This equipment may not cause harmful interference.
2. This equipment must accept any interference that may cause undesired operation.

European Union

This equipment complies with the following requirements of the EMC Directive 89/336/EEC:

EN55022:1998/CISPR22:1997		Class B
EN55024:1998	EN61000-4-2	4 kV (Direct), 8 kV (Air)
	EN61000-4-3	3 V/m
	EN61000-4-4	1.0 kV AC Power Lines, 0.5 kV Signal & DC Power Lines
	EN61000-4-5	1 kV AC Line-Line & Outdoor Signal Lines 2 kV AC Line-Gnd, 0.5 kV DC Power Lines
	EN61000-4-6	3 V
	EN61000-4-8	1 A/m
	EN61000-4-11	Pass
EN61000-3-2:1995 w/Am. 1,2		Pass
EN61000-3-3:1995		Pass

Safety

This equipment complies with the following requirements of Low Voltage Directive 73/23/EEC:

EC Type Examination Certificates:

EN60950:1992, 2nd Edition, Am. 1,2,3,4,11	TUV Rheinland Certificate No. S 2055723
IEC 950:1991, 2nd Edition, Am. 1,2,3,4	
Evaluated to all CB Countries	CB Scheme Certificate No. JPTUV-001881

Supplementary Information

This product was tested and complies with all the requirements for the CE Mark.

/S/

Dennis P. Symanski
Manager, Compliance Engineering
Sun Microsystems, Inc.
901 San Antonio Road, MPK15-102
Palo Alto, CA 94303-4900, USA

DATE

Tel: 650-786-3255
Fax: 650-786-3723

/S/

Peter Arkless
Quality Manager
Sun Microsystems Scotland, Limited
Springfield, Linlithgow
West Lothian, EH49 7LR
Scotland, United Kingdom

DATE

Tel: 0506-670000
Fax: 0506 760011

